

3P Manual Interlock Motor Connector

Description:

High voltage, sealed, electromagnetically shielded connector for Motor/Inverter applications on electric drive systems

Features:

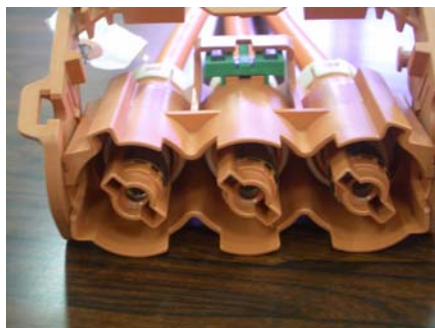
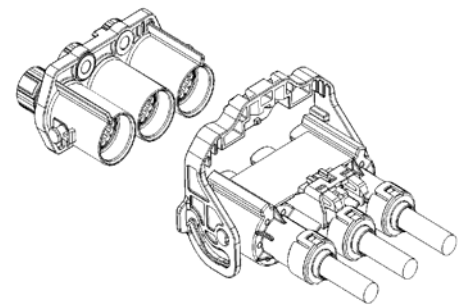
- Electromagnetically shielded connector
- Tamper-resistant CPA
- Contact reliability ensured for high vibration by using multi-contact spring terminal
- Lever to reduce connector mating force
- Bolt on module side connector

Benefits:

- No separate drain wires required for grounding EMI induced current
- Tamper-resistant CPA prevents removal by customer
- Module side connector easily integrates into Motor or Inverter case

Specifications:

Part Number	7225-6582-51	7225-6581-51
Type	Unit (Male) Side	W/H (Female) Side
Poles	3P	3P
Voltage Capacity	AC500V	AC500V
Current Capacity	80A	80A
Applicable Wire Size	N/A	EEXBS 20mm ²
Shield	40dB	40dB



Status: In Production

For more information, contact info@us.yazaki.com